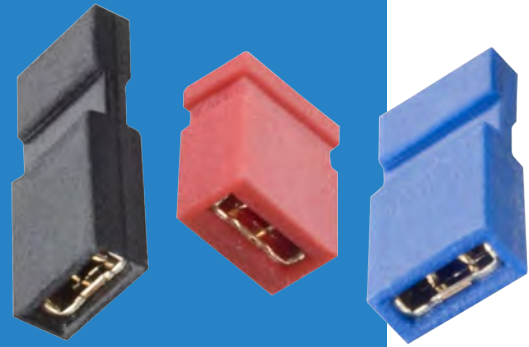


# Archer Connectors – M50

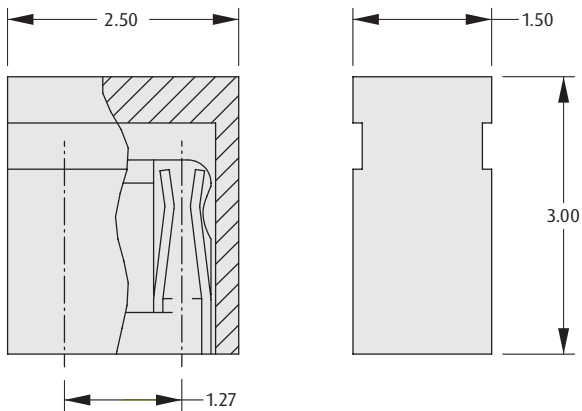
## Jumper Sockets

- ❖ Can be fitted and removed by hand, giving an alternative on-board programming method to DIP switches.
- ❖ Suitable for use with male M50 pin headers.
- ❖ Choice of colours available.
- ❖ Closed top with handle available for easier handling, placing and removing.

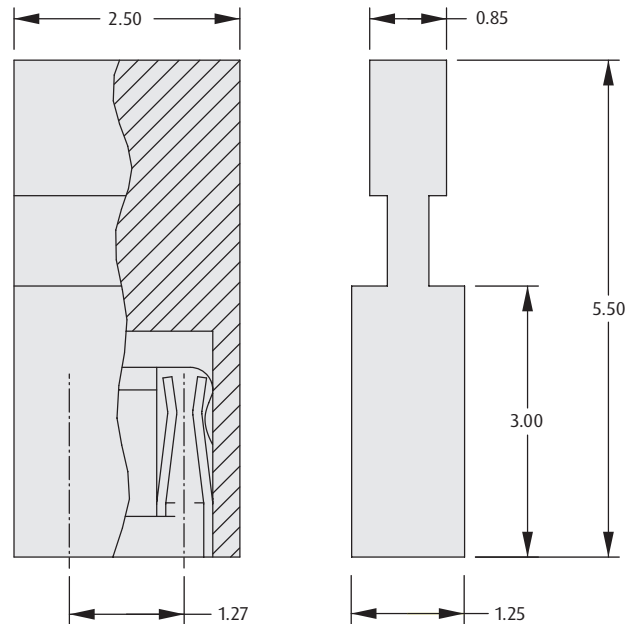


1.27mm (.050") PITCH

### CLOSED TOP



### CLOSED TOP WITH HANDLE



### HOW TO ORDER

**M50 XXX 00 05**

SERIES CODE

TYPE			
Closed Top		Closed Top with Handle	
190	Black	200	Black
192	Red	202	Red
193	Blue	203	Blue

FINISH

05 Gold

All dimensions in mm.