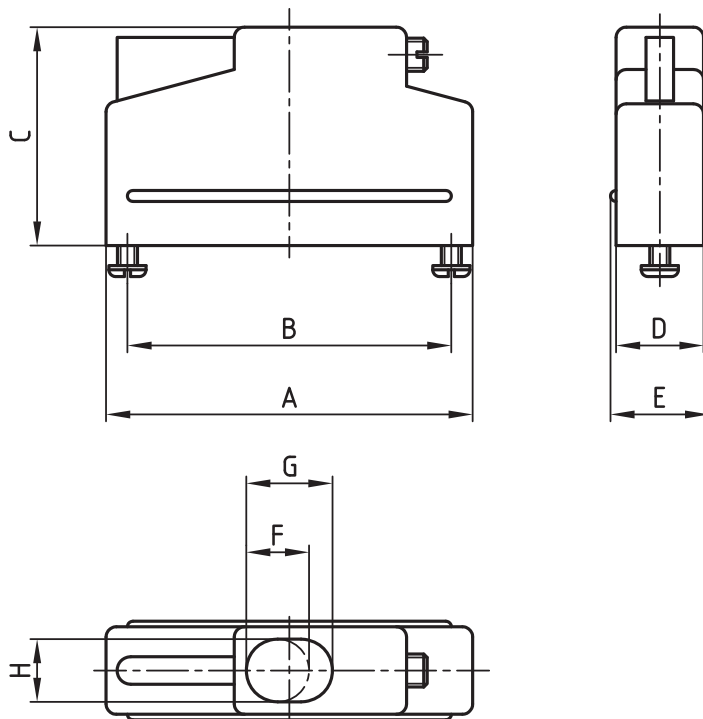


used for: D-SUB



No. of pos.	A	B	C	D	E	F	G	H	Part NO.
9	30.9	25.0	25.4	12.7	14.3	7.1	----	----	165X10389XE
15	39.3	33.3	25.4	12.7	14.3	9.1	----	----	165X10399XE
25	53.2	47.0	31.7	12.7	14.3	----	12.5	9.1	165X10409XE
37	69.4	63.5	38.1	12.7	14.3	----	17.6	9.1	165X10419XE
50	67.1	61.1	38.1	15.5	17.0	----	18.6	11.9	165X10429XE

APPROVAL # FREIGABE # DEBLOCAGE # AUTORIZACION # APPROVAL

CUSTOMER APPROVAL DATE:

NAME: TITLE:

COMPANY NAME:

APPROVAL # FREIGABE # DEBLOCAGE # AUTORIZACION # APPROVAL



THIS DRAWING MAY NOT BE COPIED OR REPRODUCED IN ANY WAY, AND MAY NOT BE PASSED ON TO A THIRD PARTY WITHOUT WRITTEN PERMISSION. OWNERSHIP AND COPYRIGHT OF CONEC GmbH DO NOT ALTER CAD DRAWING BY HAND

tolerance		dim. in mm	
2006	date	name	
drawn	07.02.	Lehmenkühler	
appd.	08.02.	Mickenbecker	
norm			
d-old			
a	Origin		
rev.	description	date	name



scale:	1:1		
material:	HOOD: POLYAMID		
title:	ONE PIECE PLASTIC HOOD 9-50pos. straight entry		
dwg no:	AutoCAD 2004	DIN-A	4
	16K1A1742		sh: 1/1
part no:	SEE TABLE		

4

3

2

1