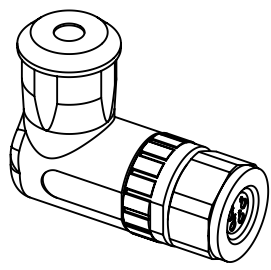
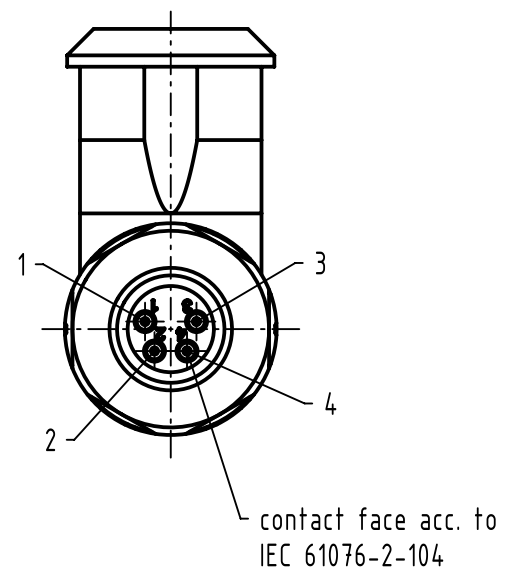



A (2:1)



| | |
|-------------------------|----------------------------------|
| conductor cross section | 0.5mm ² max. AWG20 |
| cable outside diameter | 4 - 5.5mm |

| | | | | | | | | |
|---|--|--|--|--------------------------|-----------------------------|--------------------|---|-------------|
|  | All Dimensions in mm Original Size DIN A4 | | Scale 2:1 | Free size tol. | | Ref. Sub. | | |
| | All rights reserved Department EC PD - DE | | Created by EISFELD | Inspected by WELLMANN | Standardisation SCHREIER | Date 2015-04-02 | State Final Release | |
| HARTING Electronics GmbH D-32339 Espelkamp | | | Title HARTING M8 screw angled 4-pole female | | | | Doc-Key / ECM-Nr. 1006174.19/UGD/001/A 500000087333 | |
| | | | Type TB | Number 21023594401 | | | Rev. A | Page 1/1 |