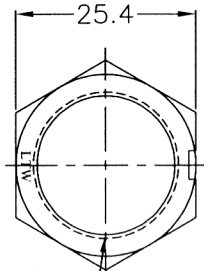
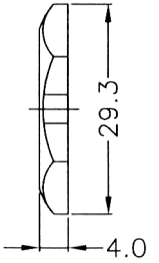


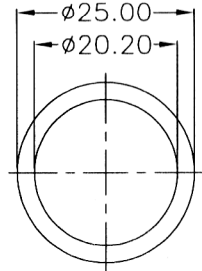
①



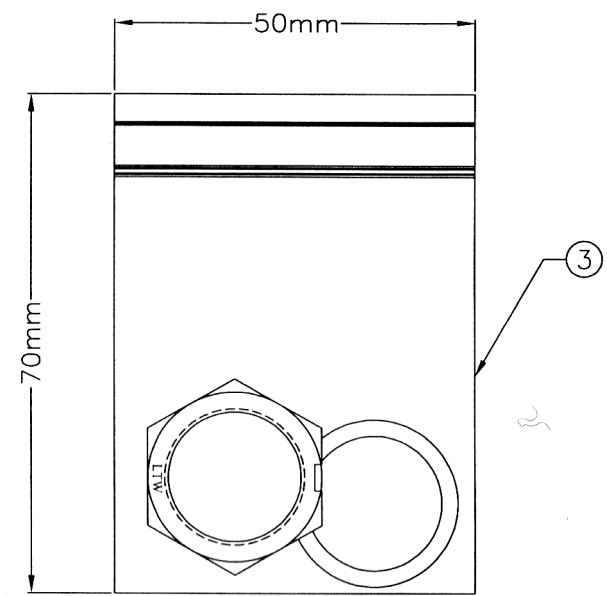
13/16" - 28UNS



②



0.80±0.05



3	PE Bag		1#透明由任袋	1
2	Gasket	Black	EPDM	1
1	Nut	Black	Nylon+GF	1
NO	NAME	COLOR	SPECIFICATION	QTY

Modification	Date	Name	Date	Name	P/N	
			Drawn	06.01.2006	Hellwig	
					<b>A-ACCSET-1</b>	
					Drawing-No.	Sheet
					<b>ASSMANN</b>	<b>ASS 0534 CO</b>
					Replace	Sheet
					<b>WSW Components</b>	
					<b>1/1</b>	

UNIT : mm

TOLERANCE

±0.5mm

**ASSMANN**  
WSW Components

Drawing-No. **ASS 0534 CO** Sheet **1/1**

Replace Sheet