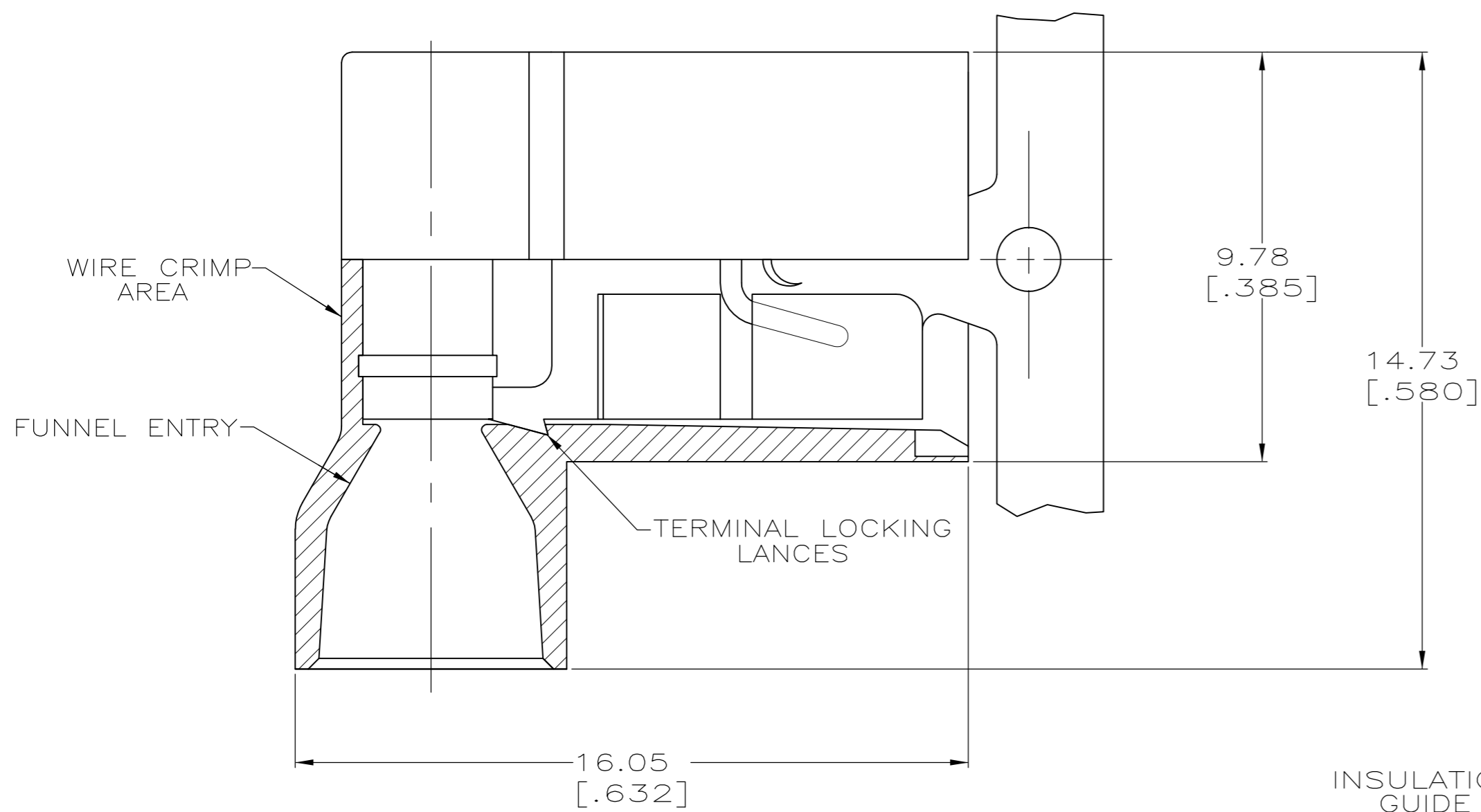
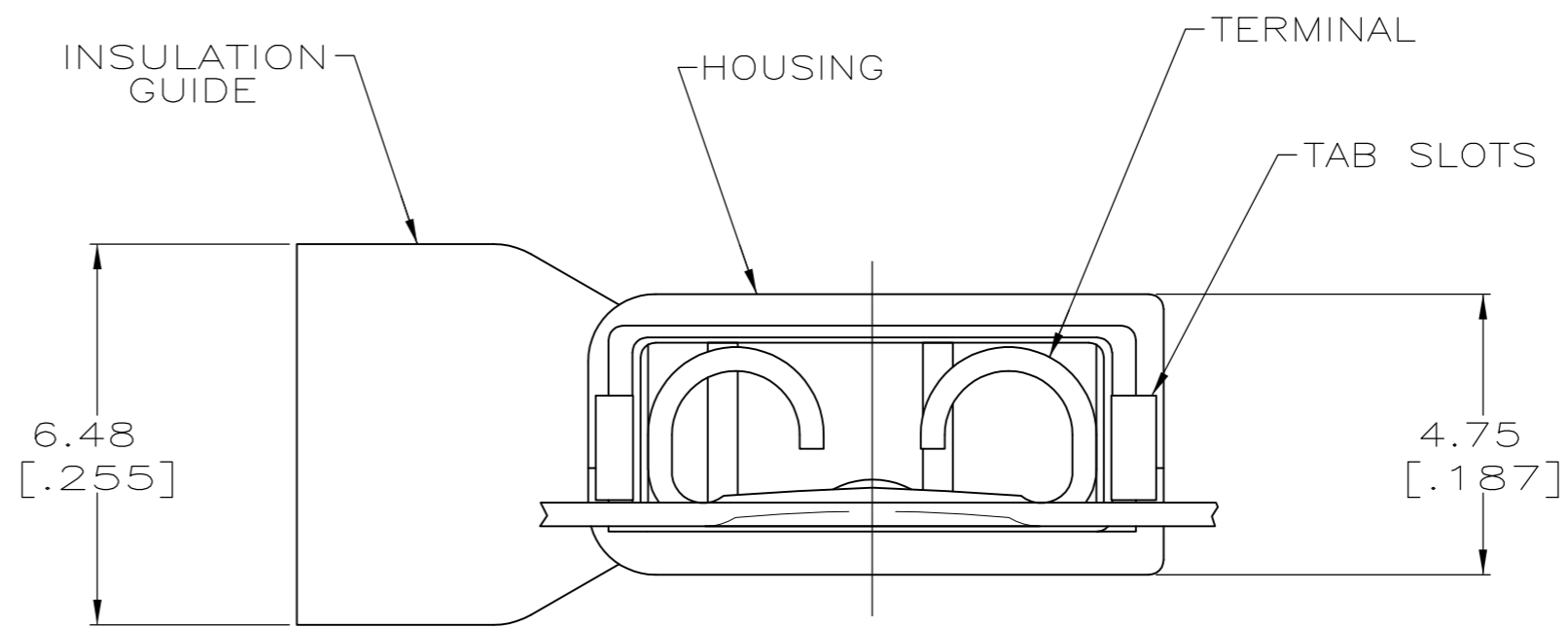
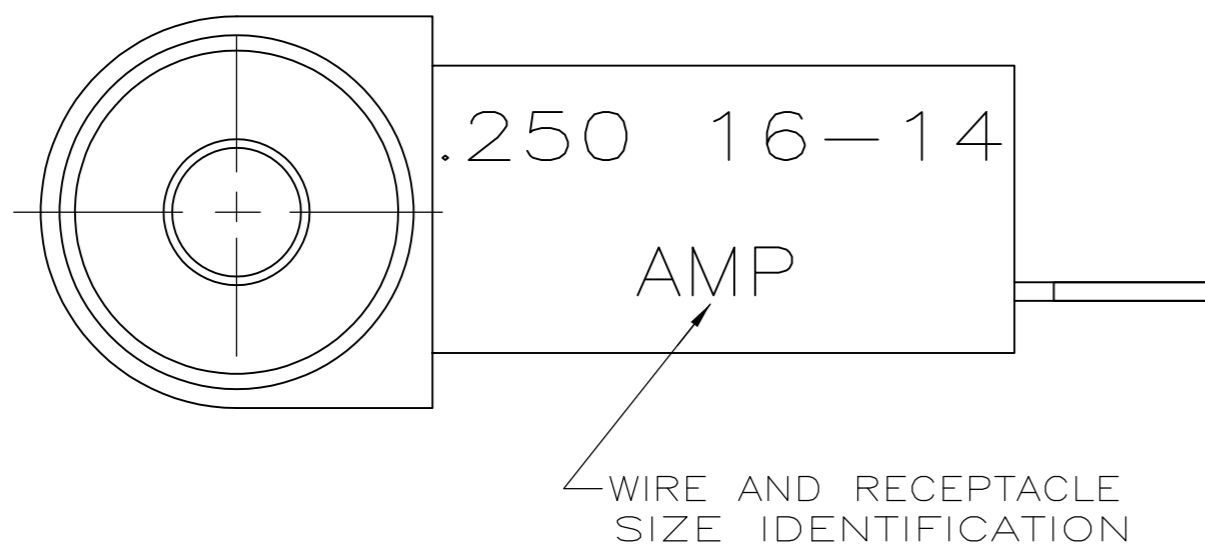


THIS DRAWING IS UNPUBLISHED. RELEASED FOR PUBLICATION
 © COPYRIGHT - By - ALL RIGHTS RESERVED.

LOC		DIST		REVISIONS			
P	LTR	DESCRIPTION		DATE	DWN	APVD	
AF	50	T2	REVISED PER ECO-11-004587		11MAR11	RK	HMR



- 1 FITS 0.81±0.025 X 6.35 [.032±.001 X .250] TAB
- 2 WIRE SIZE: 1.3-2.0mm² [16-14 AWG], STRANDED ONLY. STRIP LENGTH 7.94 [.312]
- 3 INSULATION SIZE: 4.70 [.185] MAX DIA.
- 4 CONTINUOUS STRIP.



BULK	TYPE 6/6 NYLON	BLUE TRANSLUCENT	0.41 [.016]	TIN	5-520132-2
STANDARD		BLACK TRANSLUCENT	#4H BRASS		9-520132-2
PACKAGING	MATERIAL	COLOR	MATERIAL	FINISH	3-520132-2
THIS DRAWING IS A CONTROLLED DOCUMENT.		HOUSING		TERMINAL	
DOWNSIDE: P FORTNEY 11/10/89		APVD: DJ BRATINA 11/10/89		NAME: RECEPTACLE ASSEMBLY, ULTRA-FAST FLAG, 6.35 [.250] SERIES	
DIMENSIONS: mm [INCHES]		TOLERANCES UNLESS OTHERWISE SPECIFIED:		SIZE: A2	
0 PLC ± -		1 PLC ± -		CAGE CODE: 00779	
2 PLC ± -		3 PLC ± 0.38 [.015]		DRAWING NO: C=520132	
4 PLC ± -		ANGLES ± -		RESTRICTED TO: -	
FINISH: SEE TABLE		WEIGHT: -		SCALE: 8:1	
MATERIAL: SEE TABLE		CUSTOMER DRAWING		SHEET: 1 of 1	
				REV: T2	

